

**CONNECTION BOX  
FOR PVC PIPE  
REF.160 BIS 400 KN**



PLACE OF USE:

For PVC pipe 315mm

SPECIFICATIONS:

Loading: **400 kN**

MATERIAL & COATING:

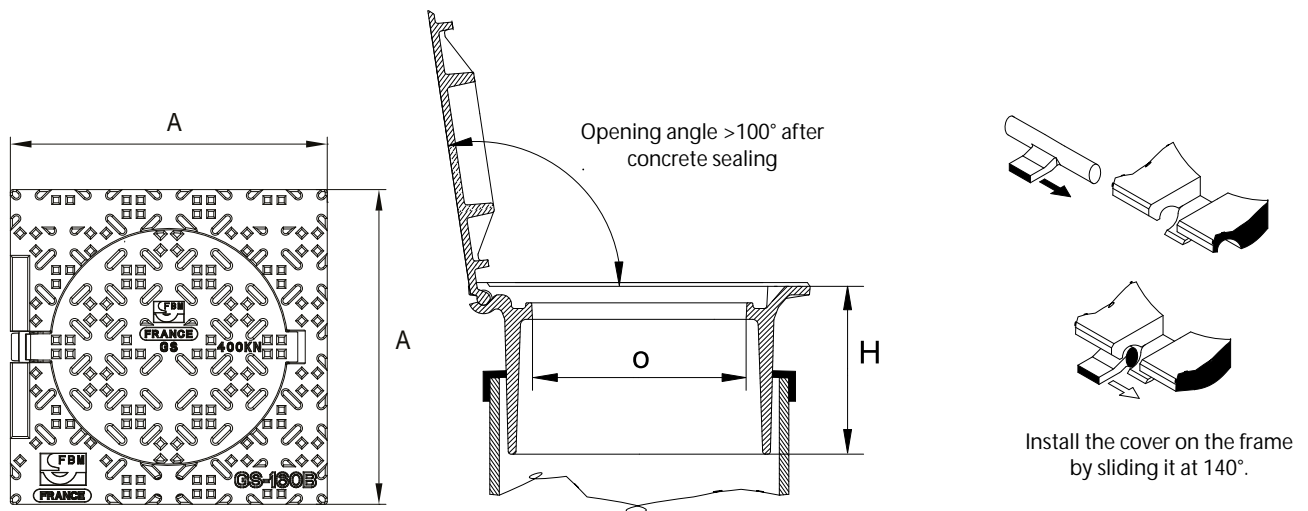
**Cover & frame:** Spheroidal cast iron  
EN-GJS-500-7. Water based black paint.

OPTIONS:

NBR Gasket

REMARKS:

Hinged and anti-theft cover after  
sealing / non-clogging hinge  
Custom device & odor-tightness - consult  
us



Ref.	Ref.	Clear opening	A x A	H	Hydraulic	Weight		
						surface	cover	total
						Kg / m <sup>2</sup>	Kg	
26641	160 bis	Ø 230	360 x 360	155	YES	145	5,5	19,6

All dimensions, weights and norms are given for information only. SOVAL reserves the right to modify the specifications of products given in the present document.